



# Sliding Patio Door Assembly - 2-Panel

## LINCOLN WOOD PRODUCTS, INC.

**TOOLS REQUIRED:** Safety Glasses, Rubber Mallet, Tape Measure, Level, Screw Driver, Drill, Phillips Head Drill Bit, 7/64" Drill Bit.

After the sliding patio door is installed into the rough opening, you need to use the following procedures to finish the installation, attach hardware and adjust for operation.

### Supplied Fasteners

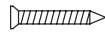
#6 x 5/8" Phillips Pan Head Screws  
Pre-Installed in T-Rail



#8 x 3" Phillips Pan Head Screws  
For Installation in T-Rail  
Qty: 16 (8 Stainless, 8 Black)



#6 x 1" Phillips Flat Head  
Pre-Installed in Head Stop



### APPLY 3" SCREWS THROUGH HEAD JAMB

1. The door is shipped from the factory with #6 x 5/8" pan head screws securing the t-rail to the head jamb. For final installation, the eight (8) inner most screws, if present, should be removed and replaced with #8 x 3" pan head screws.
2. Slide the operable panel along the t-rail to locate the inner most screw holes and fasten the #8 x 3" pan head screws (match the screw color to the t-rail color) into the holes, securing the door frame into the rough opening wood header (Figures 1-3). **Note:** Bumper clip may need to be removed to allow access to the t-rail screw holes.

Be sure to use shims between the door frame and header to prevent bowing the head jamb when the longer screws are applied.

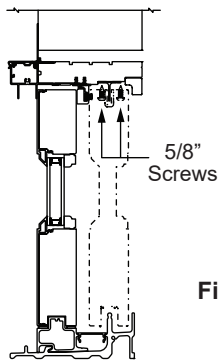


Figure 1

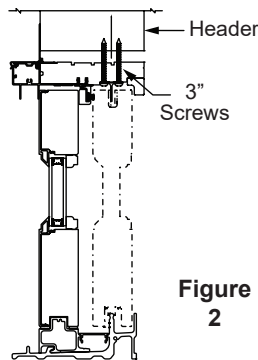


Figure 2

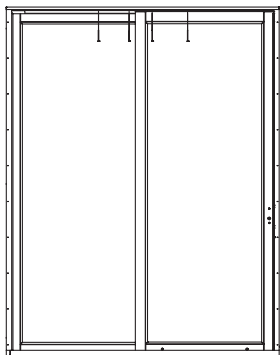


Figure 3

### ADJUST OPERABLE PANEL

3. To adjust the panel, the rollers can be accessed using the holes on the face of the bottom rail. Each roller can be adjusted separately using a phillips head screwdriver. Turning clockwise raises the panel and counter clockwise lowers the panel. Adjust until panel glides smoothly on the track and panel is plumb and level with the head. Top of panel should be approximately 1/4" from the head (Figure 4).

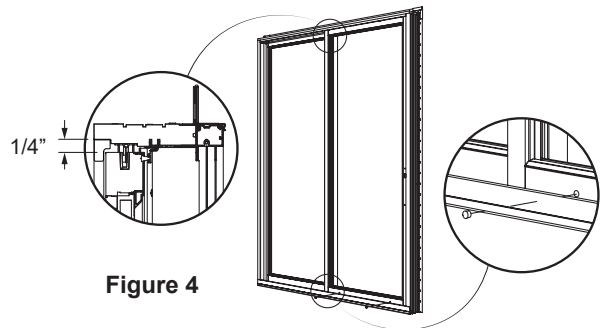


Figure 4

4. Install the provided plastic roller adjustment hole plugs when adjustment is complete.

### HARDWARE INSTALLATION

5. Open the active panel and install the handle set, following the provided manufacturer's instructions.

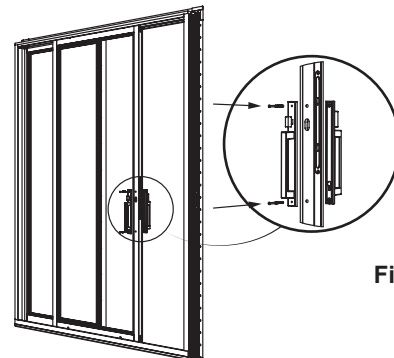


Figure 5

6. To locate the keeper position on the jamb, place black locator within the latch (Figure 6) and close the active panel strong enough to dimple the side jamb (Figure 7).

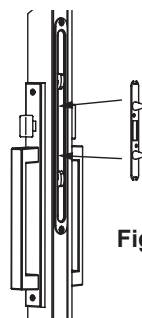


Figure 6

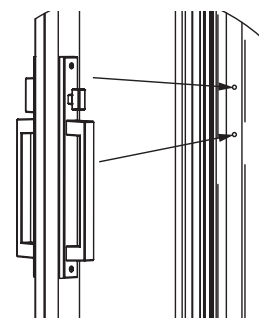
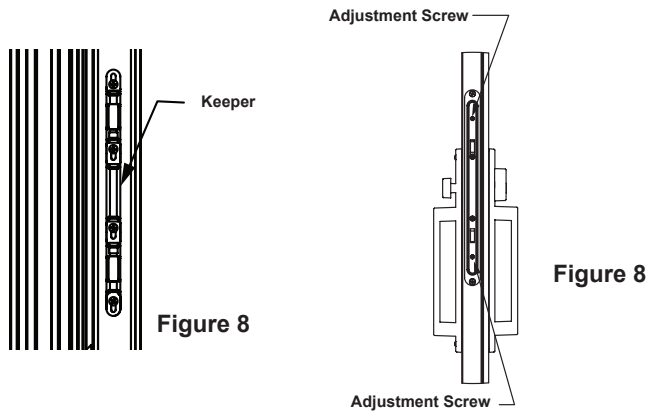
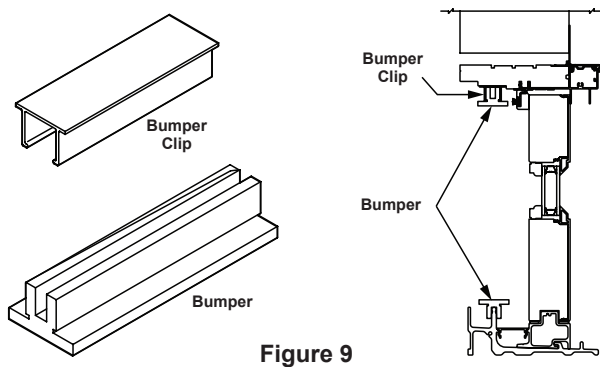


Figure 7

- Using the dimples as a guide, install the keeper to the side jamb using the (4) #8 x 1-1/4" pan head screws. Adjust the keeper up or down until the latch engages properly, Figure 8.



- The screws in the lock can be adjusted (Figure 8) to make the door lock tighter or looser. Each hook adjusts individually.
- Attach one of the supplied bumpers to the bumper clip located on the head jamb on the stationary panel side of the door. Apply by pressing the bumper up into the installed clip. Place the other bumper over the roller track on the sill (Figure 9).



## SCREEN DOOR INSTALLATION

- Install the screens per the instructions included in the screen packet.
- Install screen door strike per manufacturer's instructions included in the screen packet.

**This concludes the assembly for a  
2 panel door.**